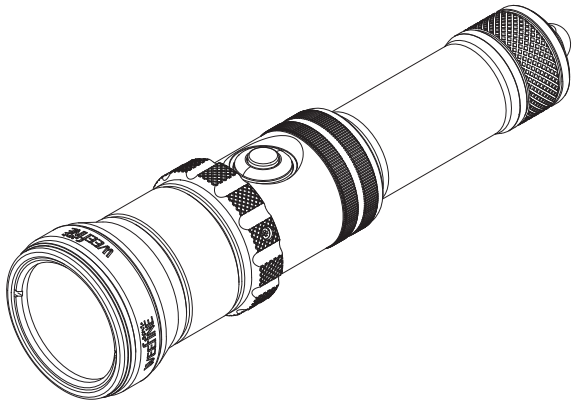


WEEFINE

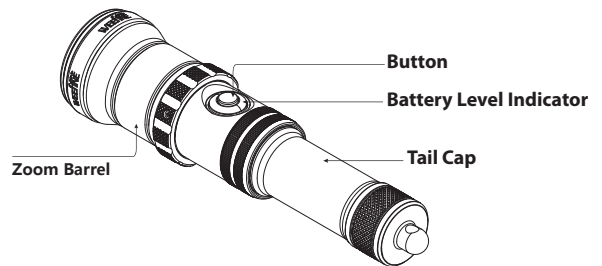
Solar Zoom 1500

USER MANUAL

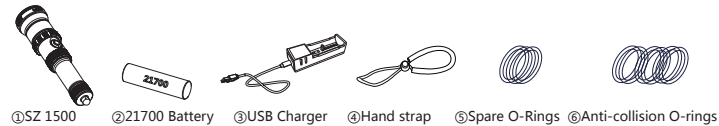


Please read the manually carefully before using the light

◆ Components



◆ Parts

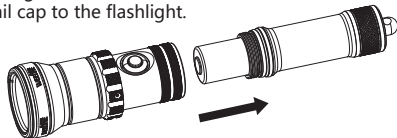


◆ Specifications

Type of Battery	1 * 21700 Li-ion battery (3.7V 5000mAh 18.5Wh)
Brightness	1500 Lumens
Operation method	Single button operation
Color Temperature	5500K
Adjustable range of irradiation angle	10°~55°
Burn time	Approx. 90 minutes
LED Life	Over 50,000 hours
Depth Rating	100m / 330ft
Size	42mm (D) * 172mm (L)
Weight	265g (On land); 100g (underwater)

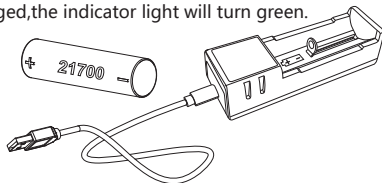
★ Install the battery

1. Refer to the fig below, make sure to align the positive and negative ends of the battery with the positive and negative terminals on the tail.
2. Connect and tighten the tail cap to the flashlight.



★ Charging Batteries

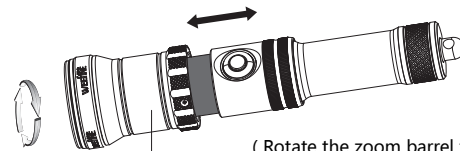
1. Insert the battery into charger as shown in the diagram below.
- NOTE : Make sure to align the positive and negative ends of the battery to the positive and negative terminals on the charger.
2. Connect the USB to the 5V charger. When the battery begins to charge, the indicator light on the charger will be red.
3. When the battery is fully charged, the indicator light will turn green.



★ Operating Instructions

Long press: Press down and hold the button for more than one second.
Short press: Press down the button and release it within one second.

1. **On:** Press down and hold the button for 2 seconds to turn the light on, and the default brightness is 100%.
2. **Off:** In any working mode, press down and hold the button for 2 seconds to turn off the light.
3. **Brightness Mode Switch:** In the power-on state, short press the button to adjust the brightness, 100%→50%→25%→100%, cycle switching;
4. **SOS and Strobe Mode:** SOS and Strobe Mode. In the power-off state, long press the button for more than two seconds to enter the frequent flash mode; Short press the button for frequent flash-SOS-strobe-frequent flash cycle switching. Long press the button for more than two seconds to turn the light off.
5. **Temperature Protection:** When the temperature of the lamp head reaches 45~55°C, the lamp head enters the temperature protection function, and the brightness drops to 20%; when the temperature is lower than 40°C, the temperature protection function is cancelled and the brightness is restored; In temperature protection mode, it can only be turned off, and the brightness cannot be adjusted.
6. **Low Power Protection** When the battery is low, the brightness will drop to 10% and the countdown will start for 10 minutes, and it will automatically shut down after 10 minutes (the strobe function can be used in this state).



(Rotate the zoom barrel to achieve the zoom effect; It can be adjusted to the required zoom angle according to the actual application.)

◆ Battery Protection

When the battery level is low, the flashlight will automatically adjust the brightness (lower) to conserve power. When the battery is empty the flashlight will power-off.

Battery level indicator	
State	Capacity
Blue	> 70%
Green	> 30%
Red	> 10%
Red flashing	Low power, it will turn off after 10min.

◆ General Maintenance

1. Put the torch in the fresh water for 30mins before diving.
2. Keep 70% of power capacity if the battery is not used for a long time.
3. Charge and discharge the batter every 6 months.
4. Check the O-ring before diving to avoid the damage, crack, hardness, dirtiness ect.
5. Use silicone to keep the O-rings well lubricated.
6. If the O-ring is damaged, broken or deformed it should be replaced with the spare.

◆ Warnings

- ★ Do not open the tail cap when the torch is in the water.
- ★ Do not shine the light directly into your eyes or another person's eyes.
- ★ Do not touch the battery or the charger with wet hands.
- ★ Only use the manufacturer's battery and charger with this system.
- ★ If the torch will not be used for a long period of time, the battery should be removed.
- ★ Do not disassemble and maintain the torch, battery and charger personally. Please contact the local dealer.

◆ Warranty

If there is any quality problem within one year of purchasing this product, it can be repaired free of charge. If the purchase is more than one year the cost of repair parts will be charged. but does not include the following:

1. Damage caused by use, maintenance and storage not in accordance with the requirements of the product instruction manual.
2. Unauthorized maintenance service points or personnel repair or modify the product;
3. Battery damage caused by not using a dedicated charger
4. Damage caused by force majeure (such as geological disasters, wars, etc.).