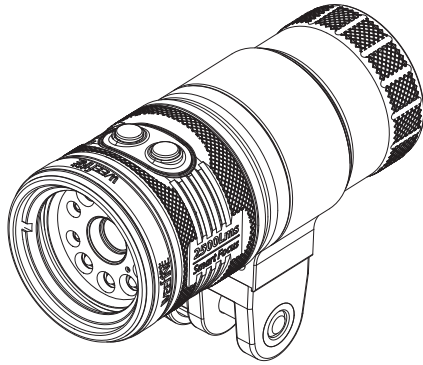




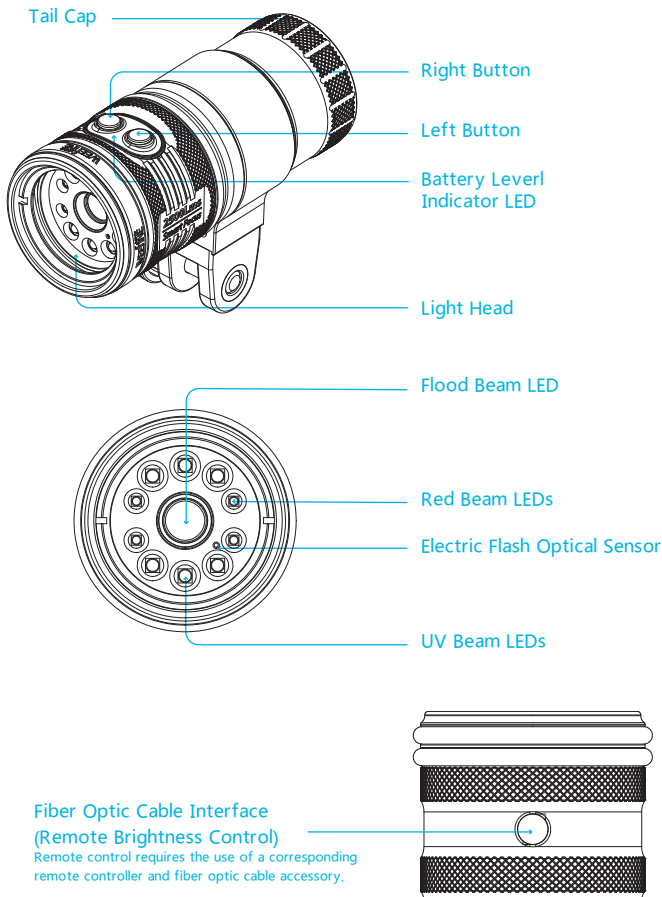
# Smart Focus 2500

## Underwater Focus/Video Light Manual



Please read the manually carefully before using the focus light

### Component introduction

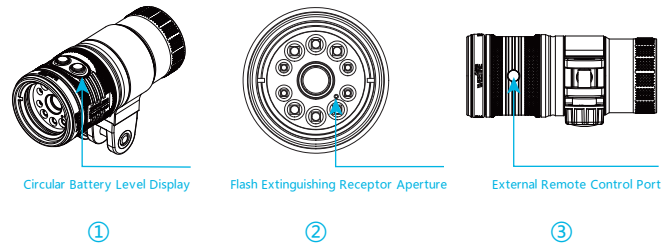


### Product Design Introduction

WEEFINE Smart Focus 2500 embodies a novel design concept rooted in the essence of the WEEFINE brand. Crafted with an elegant black aluminum alloy casing, which undergoes a rigorous process of hard oxidation, it exudes a fashionable and cutting-edge appearance, boasting a remarkable maximum brightness of 2500 lumens.

1. It incorporates the WEEFINE brand's innovative patented circular battery indicator, which provides uniform light transmission and enhances the product's stylish and aesthetic appeal.
2. It utilizes the WEEFINE brand's innovative patented autofocus flash extinguishing technology. When the light sensor on the lamp head detects a strobe flash, the sensor will turn off the light of the flashlight. After a delay of 1 second, the flashlight will automatically turn back on. This feature enables photographers to achieve accurate focus while maintaining optimal flash photography results.
3. It features an external remote control port, allowing seamless underwater control of the photography light using the WEEFINE dedicated remote controller. This enables photographers to effortlessly capture various underwater shots.

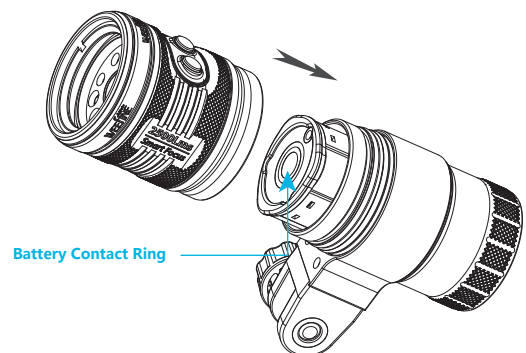
### Product Features



### Battery Installation

1. Rotate the lamp head;
2. Insert the battery into the cylinder body as shown in the diagram below (Refer to the diagram below);
3. Tighten the lamp head.

Warning! Ensure that the polarity of the battery aligns with the polarity of the photography light. Make sure the positive terminal (+) of the battery matches the positive terminal (+) of the photography light, and the negative terminal (-) matches the negative terminal (-).



### Battery Charging

1. Insert the DC end of the charger into the charging interface of the lithium battery pack as shown in the diagram below.
2. Plug the AC end of the charger into a power outlet. The charger indicator light will turn red, indicating that the battery charging process has begun.
3. The charger indicator light turning green indicates that the charging process is complete.

Charging time is approximately 2.5 hours.

## Operating Instructions

### Power On

Simultaneously press the left and right buttons for 0.5 seconds to turn on the power. Short press the left button to enter white light mode with 100% brightness.

### Power Off

In any mode, at any brightness level, press and hold the left and right buttons for more than 2 seconds to power off.

### Mode Switching

Short press the left button to cycle through white light, red light, UV light, and white light modes.

### Brightness Adjustment

Brightness adjustment: Short press the right button  
White Light (Four Levels): 100% → 50% → 25% → 300Lm → 100% (cyclic).

Red Light (Three Levels): 100% → 50% → 25% → 100% (cyclic).

UV Light (One Level): 100% (brightness not adjustable).

### Strobe Mode:

In the power-off state, press and hold the left and right buttons for more than 2 seconds to enter the strobe mode. Short press the right button to increase the flashing frequency (cycle), and short press the left button to decrease the flashing frequency (cycle). There are a total of 21 levels. Press and hold the left button for more than 2 seconds to power off.

### Focus Mode

In the power-on state, in any mode and at any brightness level, press and hold the right button for more than 2 seconds to enter the focus mode (indicator light flashing). The focus function is not available when the battery level is low.

### Sleep Mode

In the power-on state, press and hold the left button for more than 2 seconds to enter (exit) sleep mode. Only the indicator light will be illuminated.

### Temperature Protection Function

When the temperature of the lamp head reaches 50-55°C, the temperature protection function will be activated, and the white light brightness will be reduced to 20%. When the temperature drops below 40°C, the temperature protection function will be deactivated.

## Maintenance

1. Soak the machine in fresh water for 30 minutes after diving;
2. When the battery is not used for a long time, the best storage capacity is 70%;
3. The battery shall be charged and discharged once every 6 months at most;
4. There are two waterproof O-rings on the lamp holder. Silicone oil should be used to keep the O-ring well lubricated. If the O-ring is cracked, hardened, damaged, deformed, etc., it should be replaced in time.

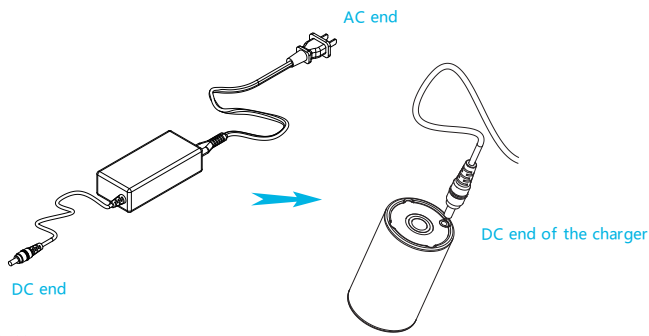
**Note:** Do not use sharp tools to remove the O-ring.

## Warning

1. Do not open the tail cover when the photography lamp is in the water.
2. Do not direct the light into your eyes or others' eyes;
3. Do not touch the battery and charger with wet hands.
4. Only batteries and special chargers provided by the manufacturer can be used;
5. If you do not use the photographic lamp for a long time, the battery should be taken out and stored properly;
6. users do not disassemble or repair lamps, batteries, and special charger; In case of failure, please contact local dealers; Please follow the instructions, otherwise it may cause damage to the camera lamp, personal injury, and failure of warranty.

## Warranty

Weefine provides a warranty against manufacturer defects for 1 year starting from the date of purchase. Manufacturer defects occurring within 15 days of the date of purchase will result in an exchange of product at the vendor. All other manufacturer defects occurring within 1 year of the purchase will be repaired at no cost. Proof of purchase is required for warranty support. The warranty does not cover failures or defects resulting from misuse (e.g.; modification; damage), natural disasters, or battery issues, including incorrect battery installation.



### Battery

When the battery level is low, the photography light will automatically lower its brightness to conserve power. When the battery is fully depleted, the photography light will power off.

### Temperature Protection

If the temperature exceeds 50°C during usage, the temperature protection feature will be activated, automatically reducing the LED brightness to 20% to minimize heat generation and protect the electronic components.

### Low Battery Protection Mode

When the battery level is about to be depleted, the brightness of the photography light automatically reduces to 20%. After 10 minutes, the photography light will power off automatically. During this time, you cannot switch modes or adjust brightness; only the power-off operation is available.

### Battery Level Indicator

3-color battery level indicator

Blue light	80~100%
Green light	30~80%
Red light	10~30%
Flashing red light	<10%

## Packaging accessories



## Specification

Brightness	White Light: 2500 lumens / Red Light: 10W / UV Light: 18W
Depth Rating	100m / 330ft
Beam Angle	100°
Color Temperature	5000K (White Light)
Usage Time	60 minutes (at 100% white light)
Modes	White Light/Red Light/UV Light
Battery	WBL-31N 3x18650 Lithium Battery Pack (2900mAh/11.1V)
Product Dimensions	52(D) × 120(L)mm
Weight (including battery)	Weight: 460g (on land), 210g (underwater)