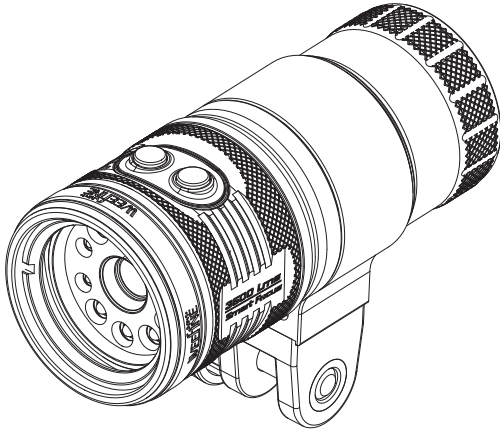


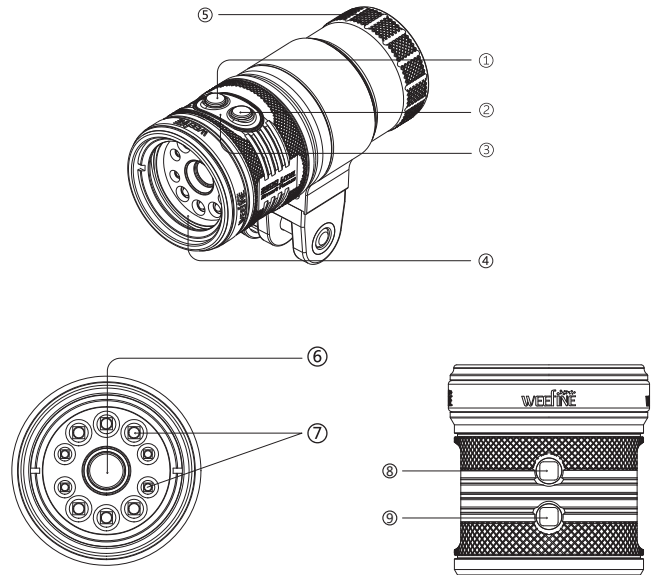
Smart Focus 3500

Focus / Video Light



Please read the manually carefully before using the focus light

Features



- ① Right Button ② Left Button
- ③ Battery Level Indicator LED
- ④ Light Head ⑤ Tail Cap ⑥ Flood Beam LED
- ⑦ Red & Blue LEDs
- ⑧ Focus off light and trigger flash receiving port
- ⑨ Optical fiber remote control port

Standard Accessories

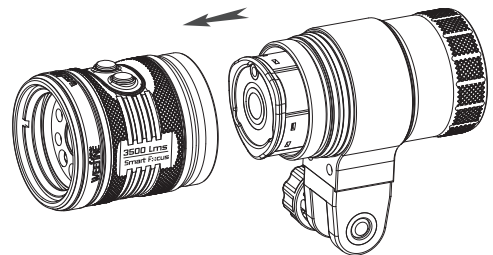
- Diving Light Battery Charger Spare O-rings
- User Manual O-ring Removal Tool Certification
- Guarantee Card

Specifications

Brightness :	3500 lumens
Beam Angle :	100° flood
Burn Time :	Approx. 70 minutes (100% flood)
Modes:	Flood / Red / Blue / Red+Blue
Flood Power Level:	100% / 75% / 50% / 25% / cycle
Battery :	3x18650 lithium battery packs (2900mAh/11.1V/32.19Wh)
CCT :	5700K
Depth Rated :	100m / 330ft
Weight :	470g on land; 235g underwater
Dimension :	55(D) x 125(L)mm

Installing the Battery

Insert the battery into the battery slot, as shown in the diagram below. One end of the battery contact ring is facing the direction of the lamp head.

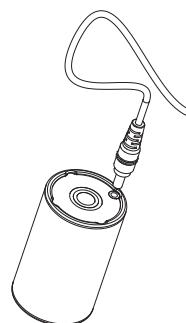


Battery level indicator

State	Capacity
Blue	100-80%
Green	80-30%
Red	30-5%
Red flashing	Low power, <5%

Charging the Battery

- Step 1: Insert the DC plug into the battery. (As shown in the diagram below).
- Step 2: Plug the charger into the wall outlet. The charger's indicator will turn red signifying the charger is receiving power.
- Step 3: When the battery has finished charging, the charger's indicator will turn green.
- Noted: Charge time is approximately 2.5 hours



*** Warning:**
Be sure to use the special charger provided by the manufacturer; otherwise, it may cause battery damage or other dangerous conditions.

Operating Instructions

Turn on

Press the left and right buttons at the same time for 0.5 seconds to turn on the power, short press the left button to enter the astigmatism mode, the brightness is 100%.

Turn off

In any mode, under any brightness, press the left and right buttons at the same time for more than 2 seconds to shut down.

Switch mode

Short press the left button: Flood light → Red light → Blue light → Red light + blue light → Flood light infinite loop switching;

Adjust brightness

Flood light mode short press right button:

100%→75%→50%→25%→100% cycle switch;

Red light; blue light; red light + blue light;

Mode short press the right button 100%→50%→25%→100% cycle switch;

SOS and Strobe Mode

In the case of power on, press and hold the right button for more than 1.5 seconds to enter (exit) the strobe mode, and the indicator light flashes at a frequency of 3 times per second.

In this mode, when the strobe signal is received, the current light will go out, and then it will light up to strobe the flash. After 0.1 seconds, the strobe flash will go out, and it will switch back to the light source before strobing the flash, which plays the role of flash exposure.

In strobe mode:

Short press the left button to switch the strobe light source:

Flood light → Red light → Blue light → Flood light cycle;

Short press the right button to adjust the brightness:

Flood light 100%→50%→0→100%, cycle;

Red light 100%→50→0→100%, cycle;

Blue light 100%→50→0→100%, cycle;

Battery Warnings

- * Remove the battery if the light will not be used for long periods of time (e.g., between dive trips).
- * Do not use a sharp object to remove the battery.
- * Keep the battery away from children.
- * Contact your local waste disposal department to dispose of the light/battery in accordance with applicable local laws and regulations.
- * If using an external battery charger, only use the WEEFINE accessory approved for your product.
- * Only replace the battery with the correct WEEFINE approved replacement battery. Using an incorrect battery presents a risk of fire or explosion.
To purchase a replacement battery, please contact WEEFINE dealer or the WEEFINE website.

Normal Maintenance

There are two waterproof O-rings on the tail to the light and silicone oil should be used to keep the O-rings well lubricated.

If the O-ring is cracked, hardened, damaged, deformed, etc., it should be replaced in time.

Spare O-rings are included in the accessory kit, please contact your local weefine dealer if necessary.

** Note: Please use the special tool provided by the manufacturer to remove the O-ring.

(Waterproof O-ring*2)



Focus Light Out Function

In the strobe mode, adjust the brightness to 0% to realize the function of focusing and turning off the lights.

When the light sensor of the lamp head detects the flash signal, the flashlight will turn off the focus light, and the flashlight will turn on again after 1 second.

Sleep Mode:

In the power-on state, long press the left button for more than 2 seconds to enter (exit) sleep mode, and only the indicator light will be on.

Temperature Protection

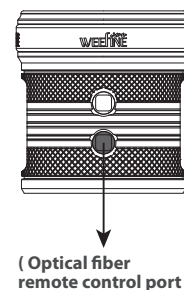
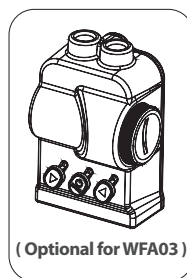
When the temperature of the lamp head reaches 50~55 degrees, the lamp head enters the temperature protection function, and the lamp head turns into a white light with a brightness of 20%. When the temperature is lower than 40 degrees, the temperature protection function is cancelled.

Low Battery Protection

When the battery is low, the brightness will drop to 10% and the countdown will be displayed for 10 minutes. After reaching 10 minutes, it will automatically shut down (the strobe function can be used in this state).

Install Fiber Optic Cable and Remote Control

One end of the optical fiber cable is inserted into the remote control optical fiber jack of the flashlight tail cover, and the other end is connected to the special remote control for WEEFINE (WFA03 is optional).



Warnings

1. Do not open the tail cap when the video light is in the water.
2. Do not direct light to human eyes.
3. Do not touch the battery and charger with wet hands.
4. Use only the manufacturer's battery and charger with this system.
5. If the video light will not be used for a long period of time, the battery should be removed.

Failure to comply with these warnings may result in damage to the video light and will nullify the warranty.

Warranty

If there is any quality problem within one year of purchasing this product, it can be repaired free of charge. If the purchase is more than one year the cost of repair parts will be charged. but does not include the following:

1. Damage caused by use, maintenance and storage not in accordance with the requirements of the product instruction manual.
2. Unauthorized maintenance service points or personnel repair or modify the product;
3. Battery damage caused by not using a dedicated charger
4. Damage caused by force majeure (such as geological disasters, wars, etc.).