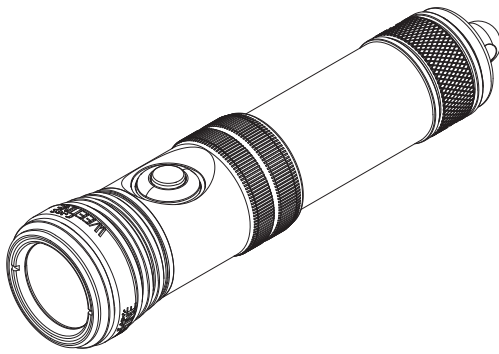


WEEFINE

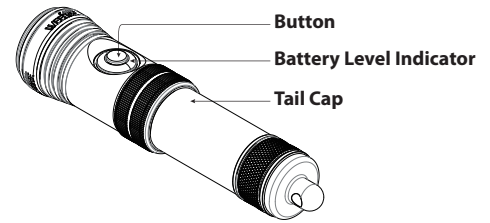
SN1500

USER MANUAL

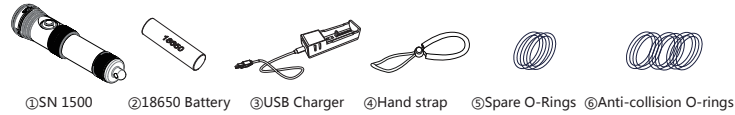


Please read the manually carefully before using the light

◆ Components



◆ Parts

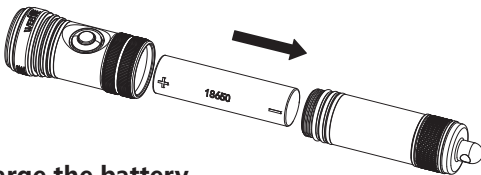


◆ Specifications

Type of Battery	1 * 18650 Li-ion battery
Brightness	1500 Lumens
Six function modes	Continous light modes : Full brightness (100%), Medium brightness (50%) , Low brightness (25%) Intermittent light modes : Strobe , Flashing , SOS
Color Temperature	6500K
Beam Angle	15°
Burn time	Approx. 100 minutes
LED Life	Over 50,000 hours
Depth Rating	100m / 330ft
Size	31mm (D) * 140mm (L)
Weight	165g (On land); 85g (underwater)

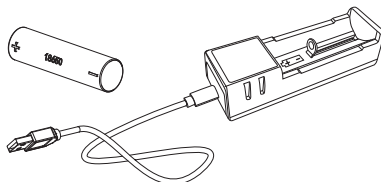
★ To install the battery

1. Refer to the fig below, make sure to align the positive and negative ends of the battery with the positive and negative terminals on the tail.
2. Connect and tighten the tail cap to the flashlight.



★ To charge the battery

1. Insert the battery into charger as shown in the diagram below.
- NOTE : Make sure to align the positive and negative ends of the battery to the positive and negative terminals on the charger.
2. Connect the USB to the 5V charger. When the battery beings to charge , the indicator light on the charger will be red.
 3. When the battery is fully charged,the indicator light will turn green.



★ To operate the light

Long-time pressing: Press the button exceeding one second.

Short-time pressing: Press the button less than one second.

1. On: To turn the light by continuously pushing the On / Off button and the default brightness is fully 100%.
2. Off: To turn the flashlight off in any condition by pressing On / Off button for a few seconds.
3. Brightness mode switch: Push the On / Off button to switch between brightness modes, 100%-50%-20%.
4. Intermittent mode:In the OFF mode, kee pressing continuously the button until it turns to the intermittent mode.
5. Intermittent mode switch: In the intermittent mode, shortly press the button to switch to frequent flashing, SOS flashing and rapid flashing.

★ Over-heat protection

When the inner temperature of flashlight becomes too high the flashlight will automatically decrease the brightness of the light and reduce the heat. When it goes down to the safe state, it will turns to the previous brightness. During the protection, it can only be turned off.

Battery level indicator	
State	Capacity
Blue	>70%
Green	>30%
Red	>10%
Red flashing	Low power, it will turn off after 10min.

◆ Battery protection

When the battery level is low,the flashlight will automatically adjust the brightness (lower) to conserve power. When the battery is empty the flashlight will power-off.

◆ General Maintainence

1. Put the torch in the fresh water for 30mins before diving.
2. Keep 70% of power capacity if the battery is not used for a long time.
3. Charge and discharge the batter every 6 months.
4. Check the O-ring before diving to avoid the damage, crack, hardness, dirtiness ect.
5. Use silicone to keep the O-rings well lubricated.
6. If the O-ring is damaged , broken or deformed it should be replaced with the spare.

◆ Warnings

- ★ Do not open the tail cap when the torch is in the water.
- ★ Do not shine the light directly into your eyes or another person's eyes.
- ★ Do not touch the battery or the charger with wet hands.
- ★ Only use the manufacturer's battery and charger with this system.
- ★ If the torch will not be used for a long period of time,the battery should be removed.
- ★ Do not disassemble and maintain the torch, battery and charger personally. Please contact the local dealer.